

ASSEMBLY GUIDE

Weather Guard

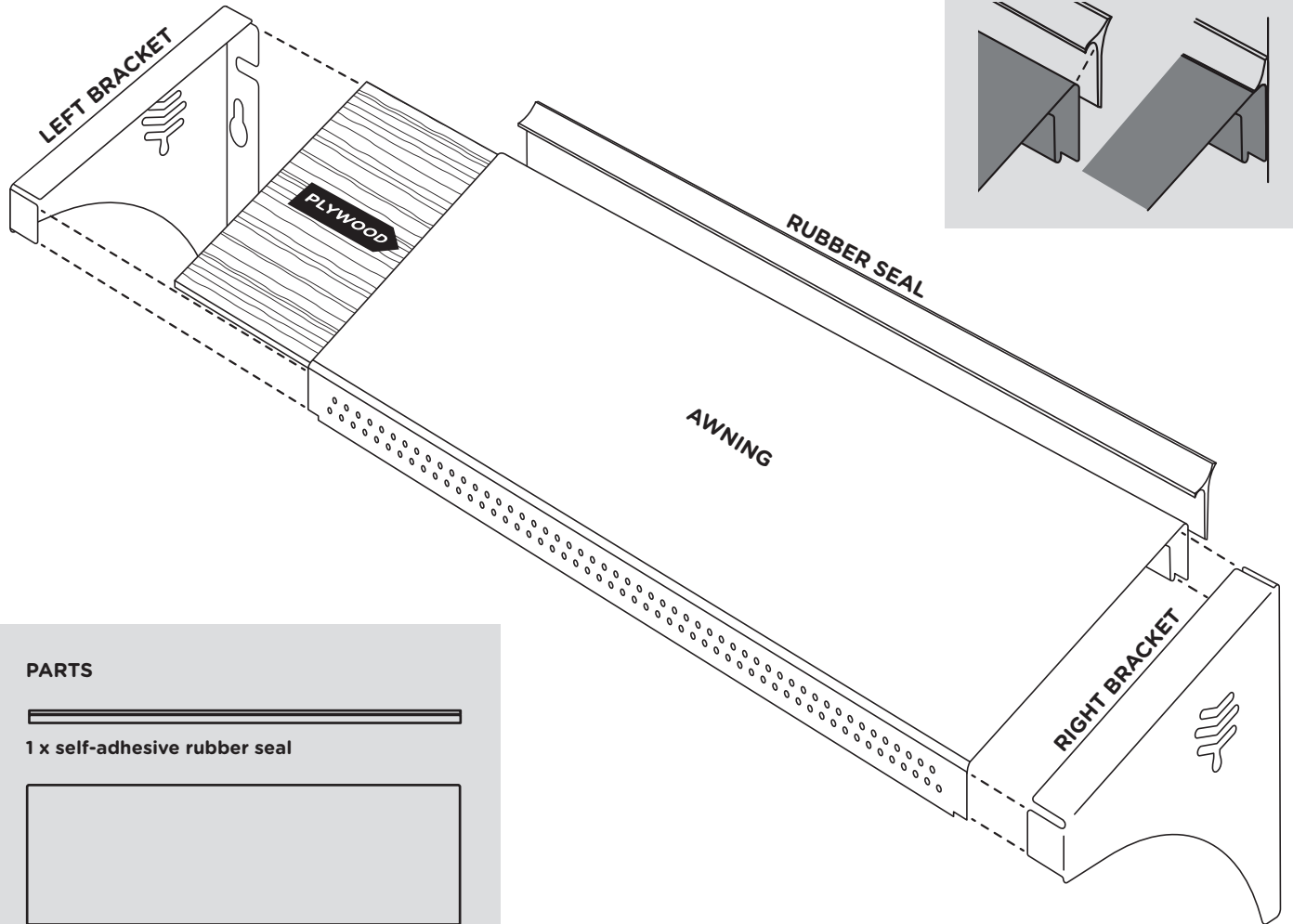
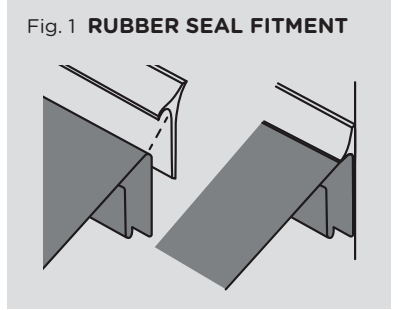


Fig. 1 RUBBER SEAL FITMENT



PARTS

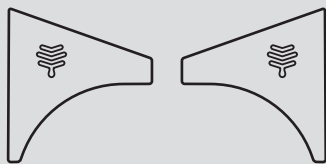
1 x self-adhesive rubber seal



1 x powder-coated aluminium awning



• 1 x FSC-certified plywood insulation board



• 2 x powder-coated aluminium brackets (left & right)

1. With a clean damp cloth, wipe and dry the back edge of the awning (edge without holes), ensuring there are no fingerprints or dirty marks.
2. Once the back edge of the awning is clean and dry, peel back the self-adhesive tape from the rubber seal.
3. Without stretching, firmly stick the rubber seal to the back edge of the awning, ensuring there are no bubbles. The rubber seal should fit tightly across the top bend of the awning. There are two small lips on the rubber seal, one that hooks over the top of the awning and one that will press up against the hive to create a seal once assembled and installed. (See Fig. 1)
4. Ensure the plywood is centred and locked into the underside of the awning with the tabs located on each end.
5. Slide the left and right side brackets onto the appropriate sides of the awning. The tabs on the side brackets are to line up with the tabs on the awning and should click into place. The side brackets must fit firmly whilst locking the plywood in place and should sit flush against the edge of the awning.



SCAN THE QR CODE FOR THE
FULL FLOW® ASSEMBLY GUIDE
CATALOGUE

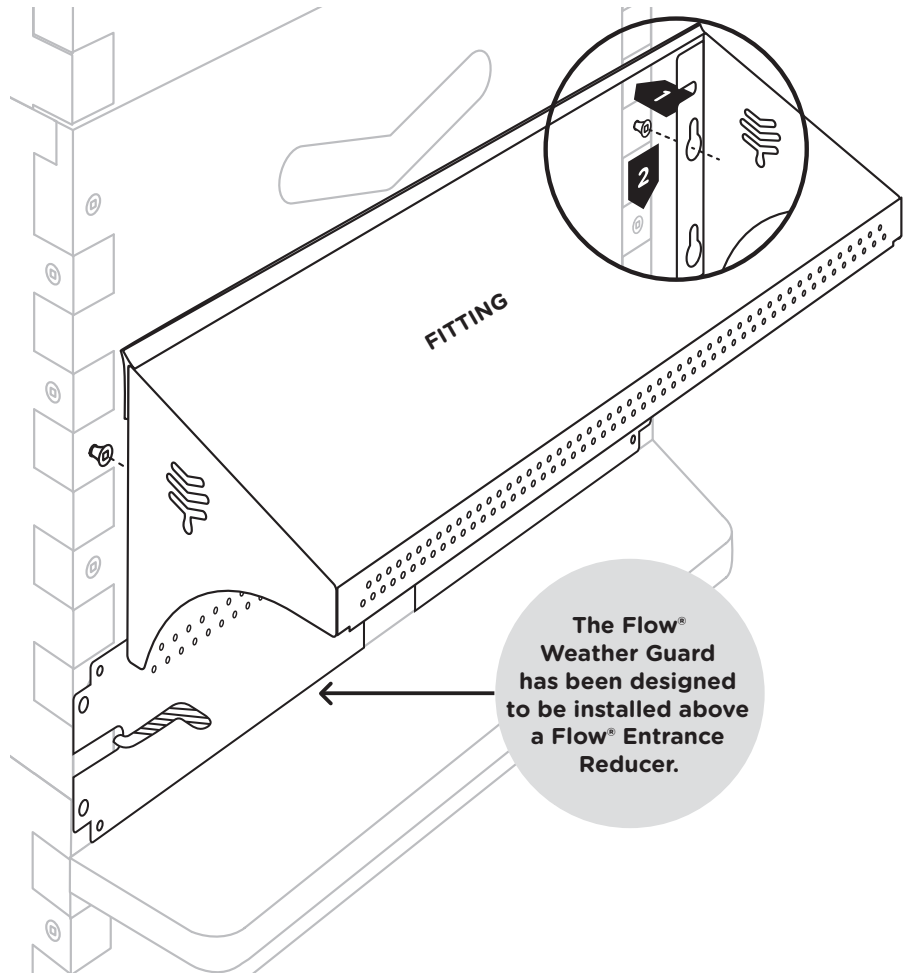
WEATHER GUARD ASSEMBLY AND FITTING



With your Flow Weather Guard complete, it's time to move on to prepping your brood box.

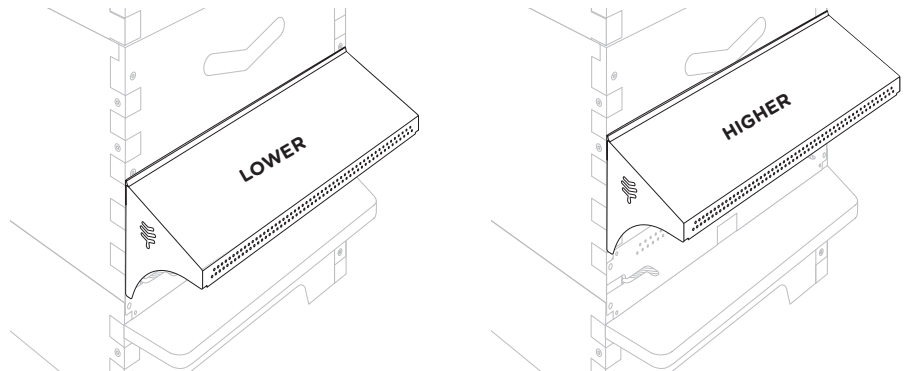
Note: If your hive is already occupied with bees it's good practice to wear protective gear and use a smoker when attaching your weather guard.

1. With your Flow Assembly Tool or screwdriver loosen 1 screw on either side of the front brood panel by a quarter, these are to be corresponding screws just above the hive entrance (one screw on each side).
We recommend the 2nd or 3rd screw up from the hive opening but best positioning depends greatly on your climate, hive type and hive location.
2. On the back of the weather guard side brackets, line up the top corresponding keyholes above the protruding brood box screws. Slide the weather guard over the screws so that it clips in and sits flush against the hive. The screws should rest at the top of the keyhole.
3. Tighten the brood box screws to affix the weather guard so it has a firm seal against the hive.



Positioning considerations

- Lower and closer to the hive entry is better for high winds, snow and heavy rains.
- Higher for sunny and fairer weather.
- How you position your weather guard greatly depends on your climate and hive location.
- You can easily adjust the position of your weather guard according to the season for optimal protection.



How to use your weather guard

1. This weather guard is designed to be used all year round and will help shield your hive entrance from sun, rain, snow and wind.
2. There are 2 keyholes on the back of each side bracket, these are to adjust the height of the weather guard on your hive. You can lower or lift the position of the weather guard depending on your hive position, climate and the season.
3. The rubber seal on the back will limit water running down the back of the weather guard. The wood panel is for insulation and gives the bees purchase when bearding.
4. If you have a Flow Hive 2 or 2+, you can attach the weather guard by using the 2 adjacent screws on either side of the brood box. This will provide extra reinforcement in areas with unpredictable weather.

The Flow® Weather Guard is designed for all Flow® Hives and is also compatible with traditional Langstroth hives.